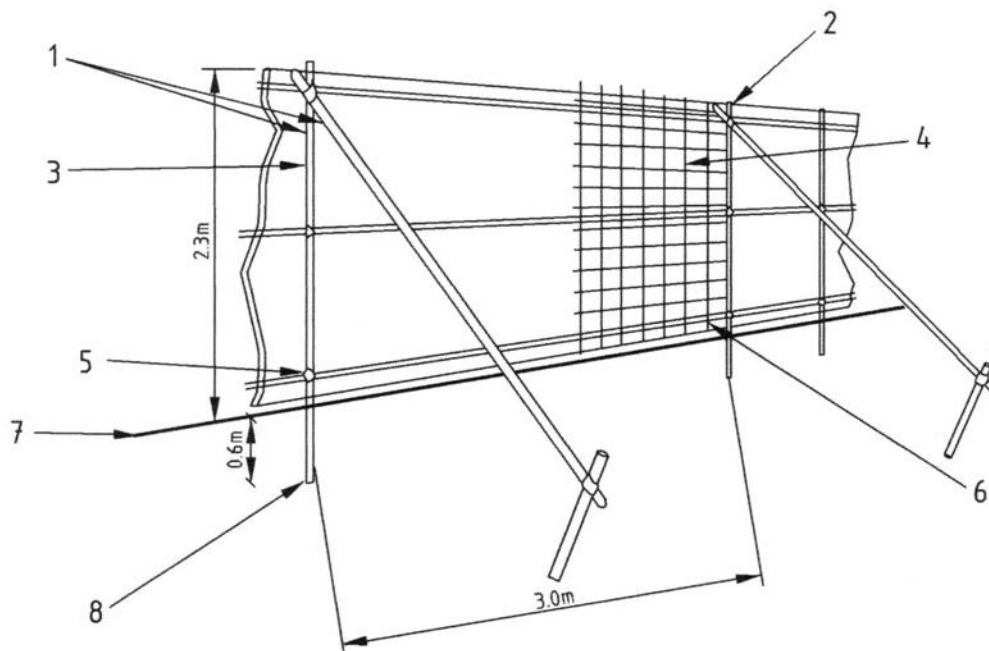


BS5837 2005 - FIG 2 TREE PROTECTION ZONE BARRIER FENCE



- | | |
|--|---------------------------------------|
| 1 Scaffold poles | 5 Clamp |
| 2 Uprights, to be driven into ground | 6 Wire, twisted and secured |
| 3 Panels, secured to uprights with wire ties and where necessary scaffold clamps | 7 Ground level |
| 4 Weldmesh, wired to the uprights and horizontals | 8 Approx 0.6 m driven into the ground |