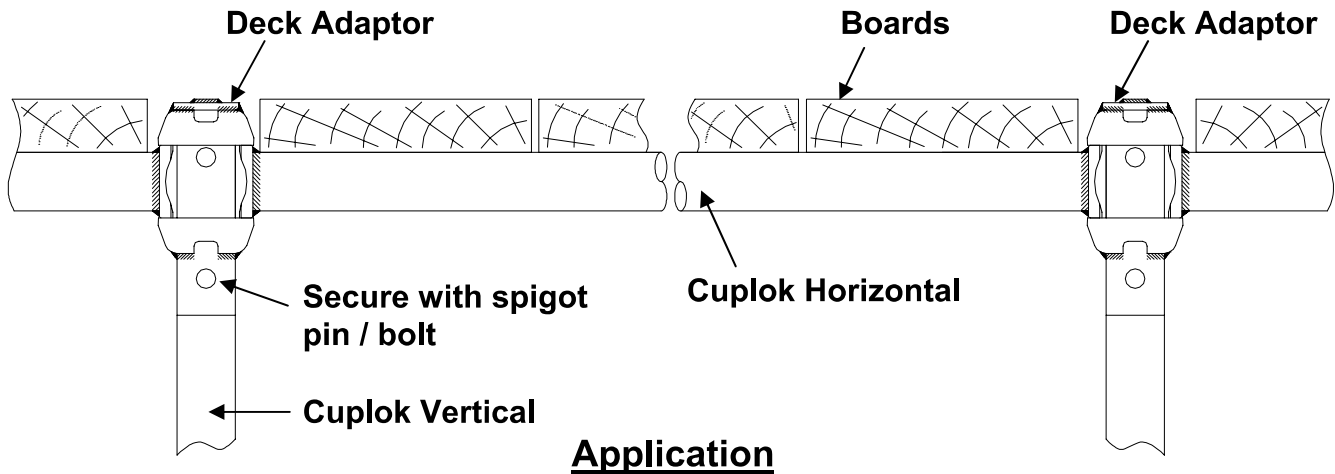
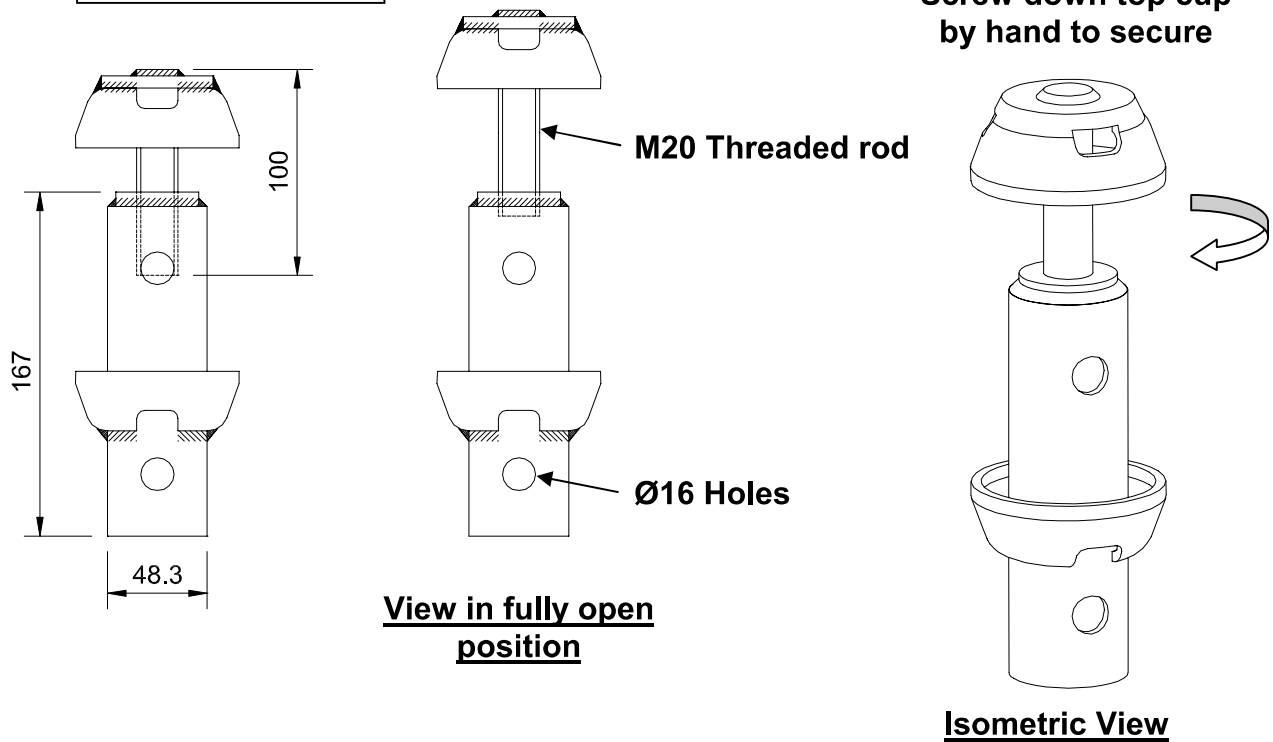


CUPLOK Deck Adaptor

PRELIMINARY


Specification/Properties:

<u>Description</u>	<u>Material</u>	<u>Finish</u>	<u>Weight</u>	<u>Code No.</u>
Deck Adaptor	Steel	Zinc Plated	1.3 kg	271909

Guidance Notes :

1. Ensure component is secured to Cuplok vertical with a spigot pin or bolt.
2. Screw down top cup by hand to secure.
3. Double layer of boards to be used or gaps in between boards filled.
4. Not suitable for uplift loads.