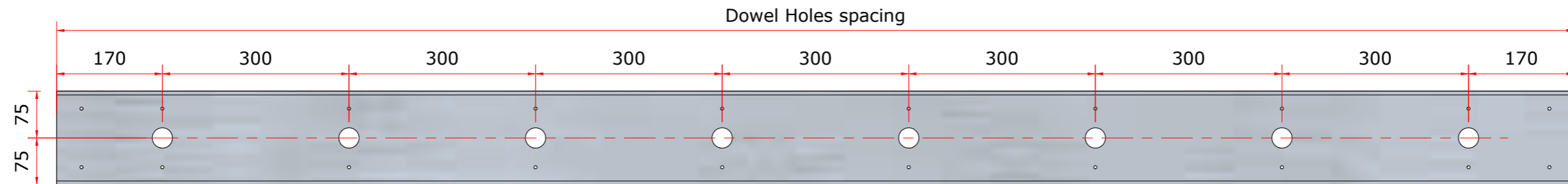
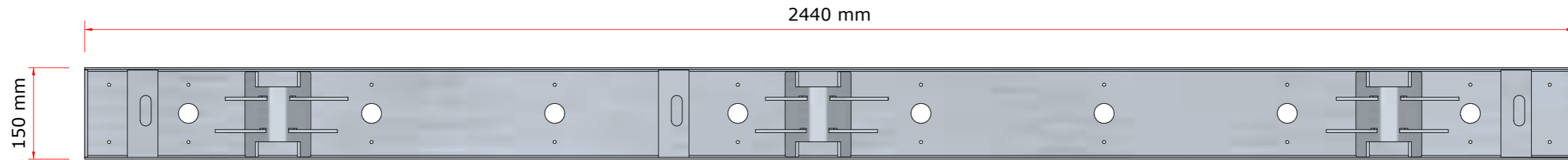
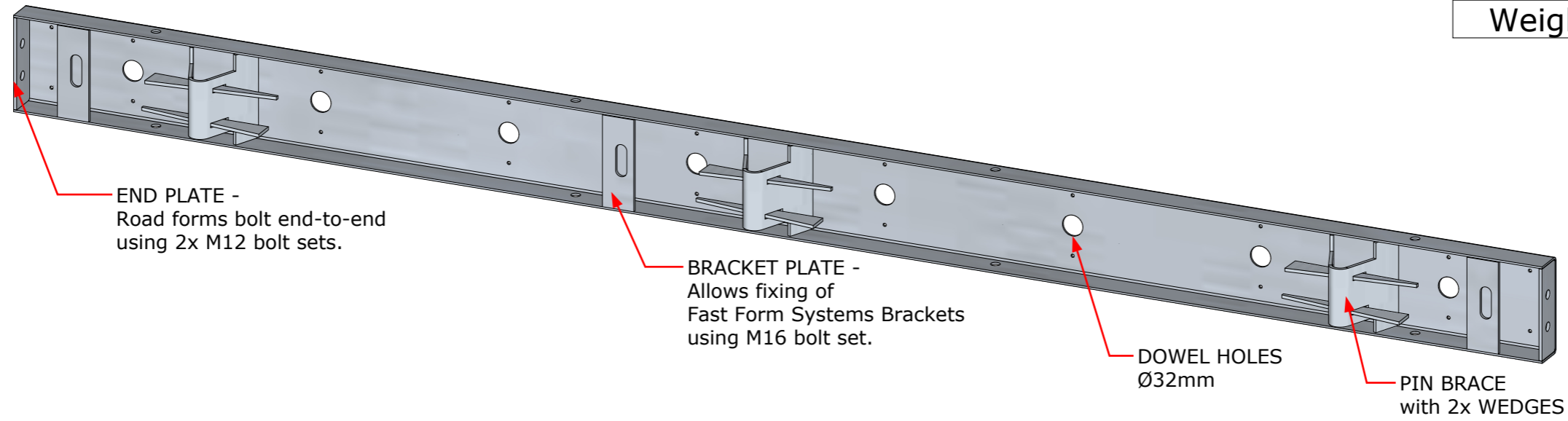


FAST FORM SYSTEMS 150x2440MM STRAIGHT ROAD FORM

Depth:	150 mm
Length:	2440 mm
Weight:	17.5 Kg



FAST FORM SYSTEMS 200x2440MM STRAIGHT ROAD FORM

Depth:	200 mm
Length:	2440 mm
Weight:	22.5 Kg

